



We assemble 100% hand wheels of the highest quality.





<b>MTB XC - MARATHON Aluminum</b>			
		Belgium, Ireland, Italy, Holland, Portugal, Poland, Spain.	Austria, France, Germany, Romania.
HUBS	MTB 370	192,00	186,00
RIM Aluminum	RACING 28	97,00	95,00
RIM Aluminum	RACING 30 <i>December 2023</i>	99,00	97,00
Service MTB A	Assembly – Sapim Laser – Nipples – Decals	175,00	170,00
<b>MTB XC - MARATHON Carbon</b>			
HUBS	MTB 370	192,00	186,00
RIM Carbon	CARBON 27	385,00	373,00
RIM Carbon	CARBON 30	391,00	381,00
Service MTB A	Assembly – Sapim Laser – Nipples – Decals	175,00	170,00
<b>MTB XC - MARATHON Carbon SL</b>			
HUBS	MTB 285 Ceramic Bearing	398,00	388,00
RIM Carbon	CARBON 27	385,00	373,00
RIM Carbon	CARBON 30	391,00	381,00
Service MTB	Assembly – Sapim Laser – Nipples – Decals	175,00	170,00
<b>MTB ENDURO DH</b>			
HUBS	MTB 370	192,00	186,00
RIM Carbon	ENDURO DH 27	375,00	365,00
RIM Carbon	ENDURO DH 30	382,00	373,00
Service MTB A	Assembly – Sapim Race – Nipples – Decals	175,00	170,00
<b>GRAVEL - CX</b>			
HUBS	ROAD 360	192,00	186,00
RIM Carbon	GRAVEL CX	395,00	380,00
Service ROAD	Assembly – Sapim Laser – Nipples – Decals	240,00	235,00
<b>ROAD</b>			
HUBS	ROAD 360	192,00	186,00
RIM Carbon	ROAD AERO LIGHT 35	429,00	418,00
RIM Carbon	ROAD AERO LIGHT 40	437,00	426,00
RIM Carbon	ROAD AERO LIGHT 50	460,00	449,00
Service ROAD	Assembly – Sapim CX Ray – Nipples – Decals	240,00	235,00
<b>SHIPPING</b>			
<b>Packing – Shipping cost</b>			
Germany			20,00
Austria, Belgium, Holland, Poland, Romania			26,00
France, Italy, Portugal, Spain			33,00

-  
- **Assembly time 1 week**



Friedrichstraße 134 - 76456 Kuppenheim - Germany

Assembly: +49 (0) 7222 – 967891

Whatsapp: +393298781125

[www.konigbikes.com](http://www.konigbikes.com)

[info@konigbikes.com](mailto:info@konigbikes.com)

**\*Weight Limit 90 kg.**

<b>MTB MARATHON Hyperlite *</b>			
		Belgium, Ireland, Italy, Holland, Portugal, Poland, Spain.	Austria, Francia, Germany, Romania.
HUBS	MTB 285 Ceramic Bearing	398,00	388,00
RIM Carbon	HYPERLITE 27	455,00	443,00
RIM Carbon	HYPERLITE 30	470,00	458,00
Service MTB A	Assembly – Sapim Laser – Nipples – Decals	175,00	170,00
Service MTB B	Assembly – Carbon Spokes – Nipples – Decals	630,00	615,00
<b>GRAVEL CX *</b>			
HUBS	ROAD 265 Ceramic Bearing	398,00	388,00
RIM Carbon	GRAVEL CX	395,00	380,00
Service ROAD A	Assembly – Sapim CX Ray – Nipples – Decals	240,00	235,00
Service ROAD B	Assembly – Carbon Spokes – Nipples – Decals	550,00	535,00
<b>ROAD *</b>			
HUBS	ROAD 265 Ceramic Bearing	398,00	388,00
RIM Carbon	ROAD AERO LIGHT 35	429,00	418,00
RIM Carbon	ROAD AERO LIGHT 40	437,00	426,00
RIM Carbon	ROAD AERO LIGHT 50	460,00	449,00
Service ROAD A	Assembly – Sapim CX Ray – Nipples – Decals	240,00	235,00
Service ROAD B	Assembly – Carbon Spokes – Nipples – Decals	550,00	535,00
<b>SHIPPING</b>			
<b>Packing – Shipping cost</b>			
Germany			20,00
Austria, Belgium, Holland, Poland, Romania			26,00
France, Italy, Portugal, Spain			33,00

- Assembly time 2 week



Friedrichstraße 134 - 76456 Kuppenheim - Germany

Assembly: +49 (0) 7222 – 967891

Whatsapp: +393298781125

[www.konigbikes.com](http://www.konigbikes.com)

[info@konigbikes.com](mailto:info@konigbikes.com)

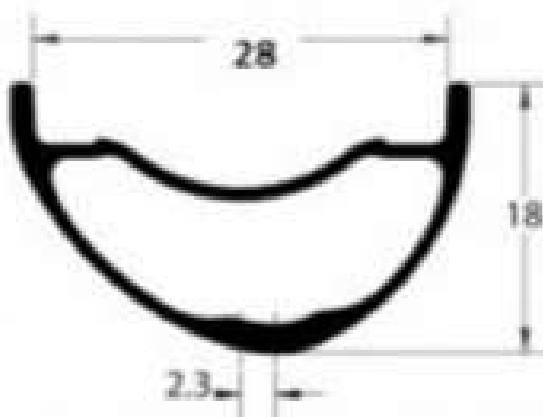
# MTB RACING 1470g. +/- 15g.

SAPIM Laser 2.0-1.8-2.0 / SAPIM Secure Lock Black

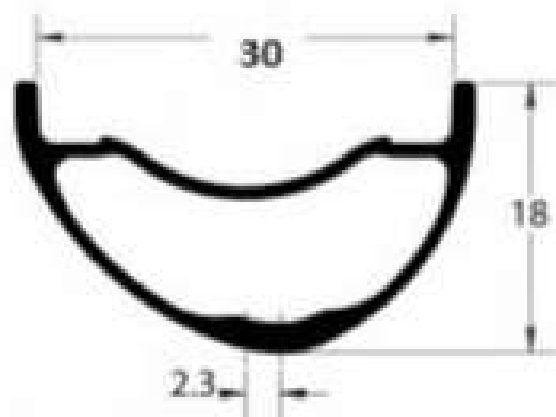
HUBS MTB 370  
Ratchet 36T  
Front TTN 6092 (15\*28\*7\*) x 2  
Rear TTN 6092 (15\*28\*7\*) x 2



RACING 28 410g.



RACING 30 430g.



Friedrichstraße 134 - 76456 Kuppenheim - Germany

Assembly: +49 (0) 7222 – 967891

Whatsapp: +393298781125

[www.konigbikes.com](http://www.konigbikes.com)

[info@konigbikes.com](mailto:info@konigbikes.com)

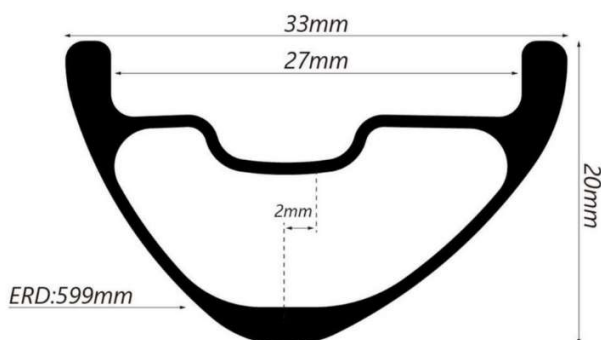
# MTB CARBON 1.330 g. +/-15g

SAPIM Laser 2.0-1.8-2.0 / SAPIM Secure Lock Black

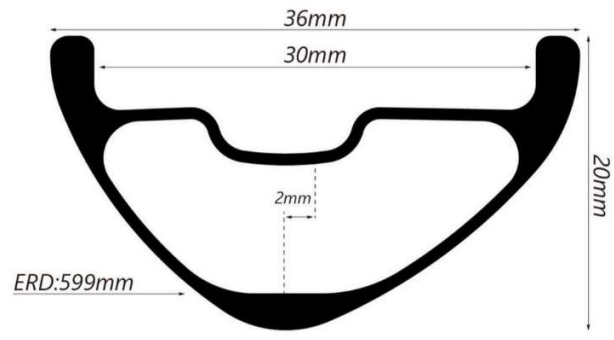
HUBS MTB 370  
Ratchet 36T  
Front TTN 6092 (15\*28\*7\*) x 2  
Rear TTN 6092 (15\*28\*7\*) x 2



Carbon 27 340g.



Carbon 30 360g.



Friedrichstraße 134 - 76456 Kuppenheim - Germany

Assembly: +49 (0) 7222 - 967891

Whatsapp: +393298781125

[www.konigbikes.com](http://www.konigbikes.com)

[info@konigbikes.com](mailto:info@konigbikes.com)

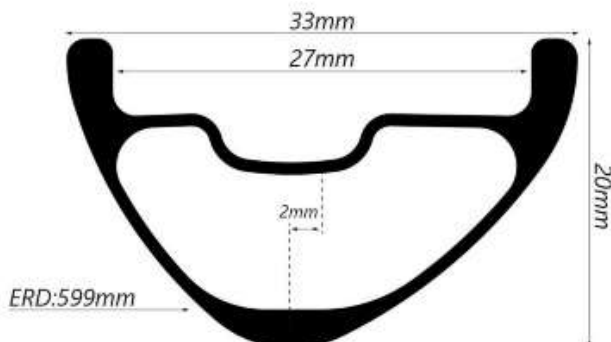
# MTB CARBON SL 1.250 g. +/-15g

SAPIM Laser 2.0-1.8-2.0 / SAPIM Secure Lock Black

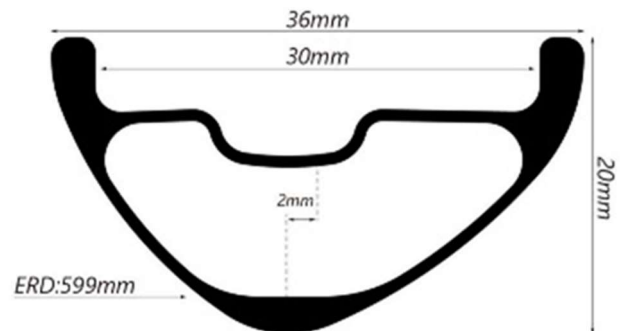
MTB 285  
Ceramic Bearig  
Ratchet 52T  
Front TPI 17287 (17\*28\*7\*) x 2  
Rear TPI 15267 (15\*26\*7\*) x 1  
Rear TPI 6902 (15\*28\*7\*) x 1



Carbon 27 340g.



Carbon 30 360g.



Friedrichstraße 134 - 76456 Kuppenheim - Germany

Assembly: +49 (0) 7222 – 967891

Whatsapp: +393298781125

[www.konigbikes.com](http://www.konigbikes.com)

[info@konigbikes.com](mailto:info@konigbikes.com)

# MTB ENDURO DH 1.580 g. +/-15g

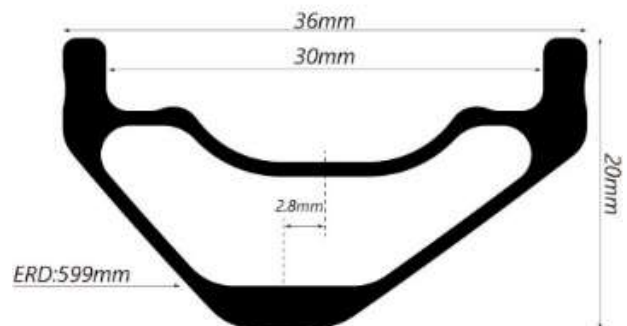
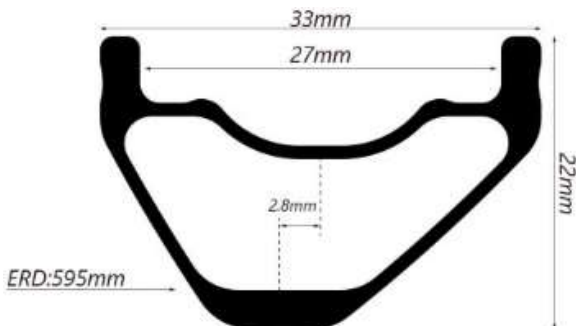
SAPIM Race 2.0-1.8-2.0 / SAPIM Secure Lock Black

HUBS MTB 370  
Ratchet 36T  
Front TTN 6092 (15\*28\*7\*) x 2  
Rear TTN 6092 (15\*28\*7\*) x 2



Enduro DH 27 430g.

Enduro DH 30 450g.



Friedrichstraße 134 - 76456 Kuppenheim - Germany

Assembly: +49 (0) 7222 – 967891

Whatsapp: +393298781125

[www.konigbikes.com](http://www.konigbikes.com)

[info@konigbikes.com](mailto:info@konigbikes.com)

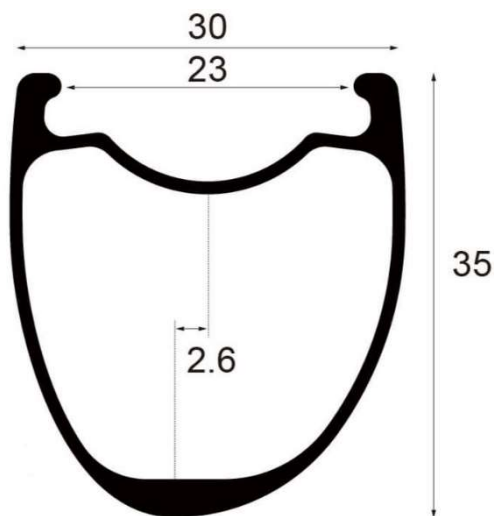
# GRAVEL CX 1.280 g. +/-15g

SAPIM CX Ray Black 2.0 - (2.2x0.9) - 2.0 mm / SAPIM Secure Lock Black

HUBS Road 360  
Ratchet 36T  
Front TTN 6092 (15\*28\*7\*) x 2  
Rear TTN 6092 (15\*28\*7\*) x 2



CX Gravel 370g.



Friedrichstraße 134 - 76456 Kuppenheim - Germany

Assembly: +49 (0) 7222 – 967891

Whatsapp: +393298781125

[www.konigbikes.com](http://www.konigbikes.com)

[info@konigbikes.com](mailto:info@konigbikes.com)



# ROAD AERO LIGHT

35mm 1.240 g. +/-15g.

40mm 1.280 g. +/-15g.

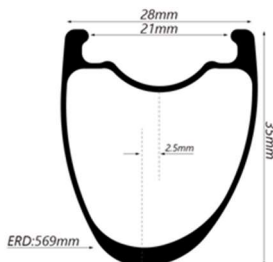
50mm 1.350 g. +/-15g.

SAPIM CX Ray Black 2.0 - (2.2x0.9) - 2.0 mm / SAPIM Secure Lock Black

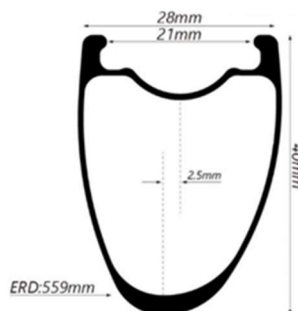
HUBS Road 360  
 Ratchet 36T  
 Front TTN 6092 (15\*28\*7\*) x 2  
 Rear TTN 6092 (15\*28\*7\*) x 2



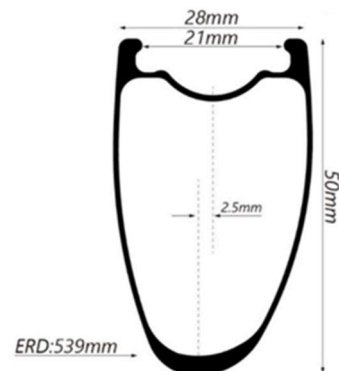
AERO LIGHT 340g.



AERO LIGHT 360g.



AERO LIGHT 400g.



Friedrichstraße 134 - 76456 Kuppenheim - Germany

Assembly: +49 (0) 7222 – 967891

Whatsapp: +393298781125

[www.konigbikes.com](http://www.konigbikes.com)

[info@konigbikes.com](mailto:info@konigbikes.com)

# MTB HYPERLITE 1.120 g. +/-15g

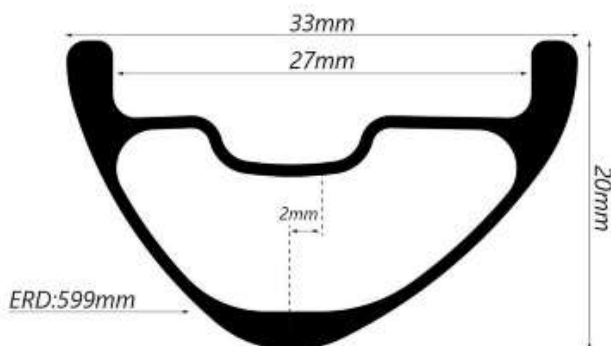
**Weight Limit 90 kg.**

SAPIM Laser 2.0-1.8-2.0 / SAPIM Secure Lock Black

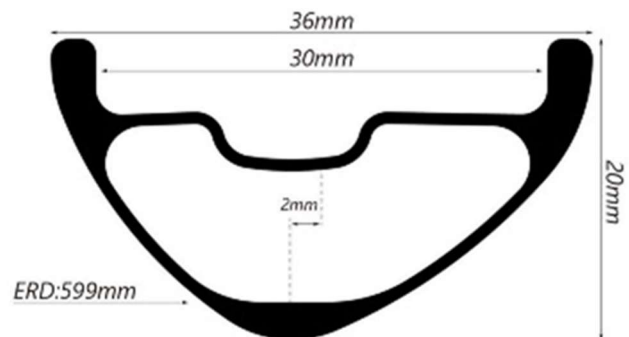
MTB 285  
Ceramic Bearig  
Ratchet 52T  
Front TPI 17287 (17\*28\*7\*) x 2  
Rear TPI 15267 (15\*26\*7\*) x 1  
Rear TPI 6902 (15\*28\*7\*) x 1



HYPERLITE 27 265g.



HYPERLITE 30 285g.



Friedrichstraße 134 - 76456 Kuppenheim - Germany

Assembly: +49 (0) 7222 – 967891

Whatsapp: +393298781125

[www.konigbikes.com](http://www.konigbikes.com)

[info@konigbikes.com](mailto:info@konigbikes.com)

# MTB HYPERLITE 970 g. +/-15g

**Weight Limit 90 kg.**

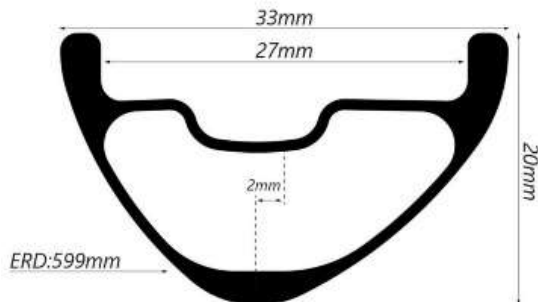
CARBON Spokes - SAPIM Secure Lock Black



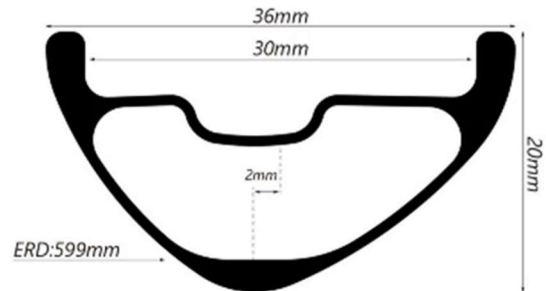
MTB 285  
Ceramic Bearig  
Ratchet 52T  
Front TPI 17287 (17\*28\*7\*) x 2  
Rear TPI 15267 (15\*26\*7\*) x 1  
Rear TPI 6902 (15\*28\*7\*) x 1



HYPERLITE 27 265g.



HYPERLITE 30 285g.



Friedrichstraße 134 - 76456 Kuppenheim - Germany

Assembly: +49 (0) 7222 – 967891

Whatsapp: +393298781125

[www.konigbikes.com](http://www.konigbikes.com)

[info@konigbikes.com](mailto:info@konigbikes.com)

# GRAVEL CX 1.220 g. +/-15g

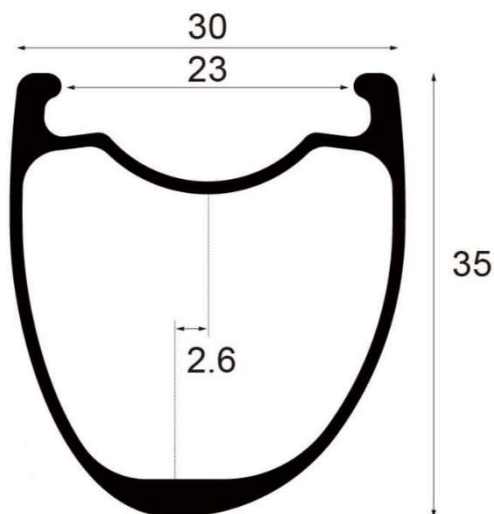
**Weight Limit 90 kg.**

SAPIM CX Ray Black 2.0 - (2.2x0.9) - 2.0 mm / SAPIM Secure Lock Black

HUBS Road 360  
Ratchet 36T  
Front TTN 6092 (15\*28\*7\*) x 2  
Rear TTN 6092 (15\*28\*7\*) x 2



CX Gravel 370g.



Friedrichstraße 134 - 76456 Kuppenheim - Germany

Assembly: +49 (0) 7222 – 967891

Whatsapp: +393298781125

[www.konigbikes.com](http://www.konigbikes.com)

[info@konigbikes.com](mailto:info@konigbikes.com)



# GRAVEL CX 1.100 g. +/-15g

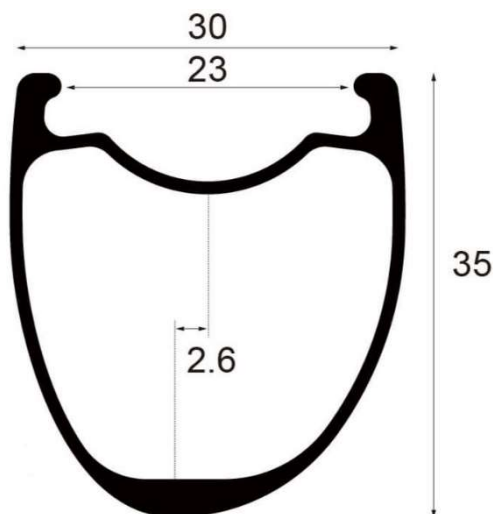
**Weight Limit 90 kg.**

Carbon Spokes / SAPIM Secure Lock Black

HUBS Road 360  
Ratchet 36T  
Front TTN 6092 (15\*28\*7\*) x 2  
Rear TTN 6092 (15\*28\*7\*) x 2



CX Gravel 370g.



Friedrichstraße 134 - 76456 Kuppenheim - Germany

Assembly: +49 (0) 7222 – 967891

Whatsapp: +393298781125

[www.konigbikes.com](http://www.konigbikes.com)

[info@konigbikes.com](mailto:info@konigbikes.com)

# ROAD AERO LIGHT

**Weight Limit 90 kg.**

35mm 1.170 g. +/-15g.

40mm 1.210 g. +/-15g.

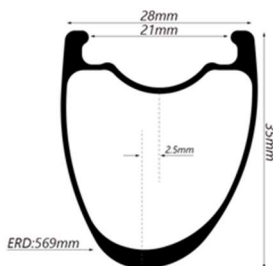
50mm 1.290 g. +/-15g.

SAPIM CX Ray Black 2.0 - (2.2x0.9) - 2.0 mm / SAPIM Secure Lock Black

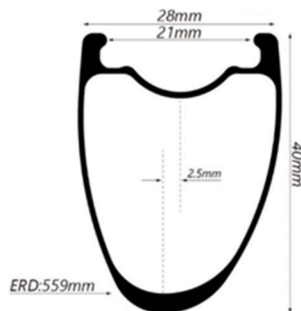
HUBS Road 360  
Ratchet 36T  
Front TTN 6092 (15\*28\*7\*) x 2  
Rear TTN 6092 (15\*28\*7\*) x 2



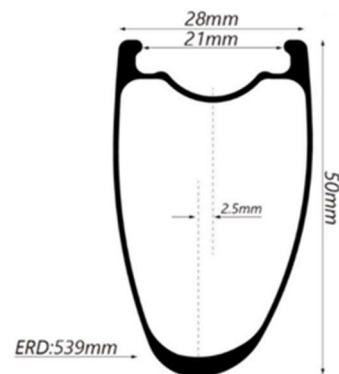
**AERO LIGHT 340g.**



**AERO LIGHT 360g.**



**AERO LIGHT 400g.**



Friedrichstraße 134 - 76456 Kuppenheim - Germany

Assembly: +49 (0) 7222 – 967891

Whatsapp: +393298781125

[www.konigbikes.com](http://www.konigbikes.com)

[info@konigbikes.com](mailto:info@konigbikes.com)

# ROAD AERO LIGHT

**Weight Limit 90 kg.**

35mm 1.050 g. +/-15g.

40mm 1.070 g. +/-15g.

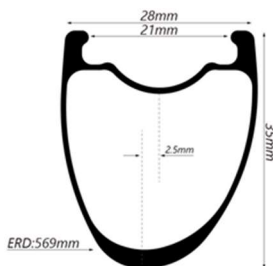
50mm 1.150 g. +/-15g.

Carbon Spokes / SAPIM Secure Lock Black

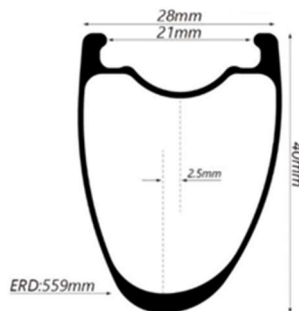
HUBS Road 360  
Ratchet 36T  
Front TTN 6092 (15\*28\*7\*) x 2  
Rear TTN 6092 (15\*28\*7\*) x 2



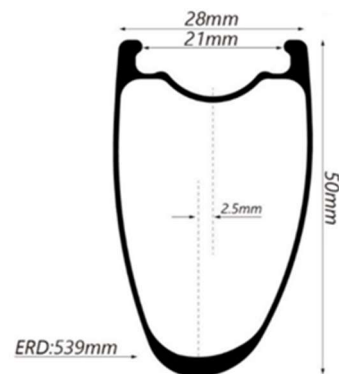
**AERO LIGHT 340g.**



**AERO LIGHT 360g.**



**AERO LIGHT 400g.**



Friedrichstraße 134 - 76456 Kuppenheim - Germany

Assembly: +49 (0) 7222 – 967891

Whatsapp: +393298781125

[www.konigbikes.com](http://www.konigbikes.com)

[info@konigbikes.com](mailto:info@konigbikes.com)

# Custom Decals



Friedrichstraße 134 - 76456 Kuppenheim - Germany

Assembly: +49 (0) 7222 – 967891

Whatsapp: +393298781125

[www.konigbikes.com](http://www.konigbikes.com)

[info@konigbikes.com](mailto:info@konigbikes.com)



















**Standard Warranty:**

The warranty is 24 months from the date of purchase on manufacturing defects. The guarantee is reserved for the first purchaser and is not transferable, as per EU directives.

Limits invalidating the warranty:

Cyclist weight limit 95 kg. or for particular versions 85 kg. Alteration of the original tension of the spokes, replacement of the spokes or even other parts of the components and/or by unauthorized personnel König Whwvla, use and penetration of ammonia-based latex in the rim, inflation below 1.5 Bar or beyond the indicated limit for each model.

The warranty expires if the recommended maintenance has not been carried out.

Any component found to be defective in materials or workmanship will be replaced or repaired at König Wheels' option.

The warranty is expressly limited to the replacement or repair of the product returned and found defective by König Wheels, no credit will be granted or refunded. König reserves the right to replace it with a new generation product.

The warranty does not cover normal wear and tear and parts subject to wear such as bearings, fatigue damage, collisions. Incorrect assemblies, poor maintenance, alterations, modifications beyond the designated range of use of the component, installation of non-original parts and spare parts void the warranty.

The product in question must be shipped to König Wheels in original packaging, properly packaged, with payment and/or warranty receipts.

**Crash replacement:**

Within the 24 months of warranty it offers a Crash Replacement program for the damaged component with a 40% discount on the public price list.

The product in question must be shipped to König Wheels in original packaging, properly packaged, with payment and/or warranty receipts.

Product must be shipped as received at origin.

**Warranty Extension and Crash Replacement:**

Customers can take advantage of the warranty extension service at the cost indicated in the official price list. In the König Wheels Service you will perform centering, cambering and tensioning of the wheels. A new warranty and crash replacement for another 2 years will be issued. Worn or damaged materials will be charged to the customer.

**Attention:**

Read the product safety instructions on the back of the warranty sheet very carefully before using the product.



Friedrichstraße 134 - 76456 Kuppenheim - Germany

Assembly: +49 (0) 7222 – 967891

Whatsapp: +393298781125

[www.konigbikes.com](http://www.konigbikes.com)

[info@konigbikes.com](mailto:info@konigbikes.com)